

TRIPOD | LIGHT STAND

Designed by Søren Ravn Christensen



Light stand
Comes with E26 / E27



Tripod base: Flip legs 180°



DIMENSIONS

Tripod floor (Ø × H): 66 × 109 cm / 26 × 42.9"
Tripod table (Ø × H): 19 × 36 cm / 7.5 × 14.2"
Tripod base (Ø × H): 15.8 × 18.6 cm / 6.2 × 7.3"
24 × 12.5 cm / 9.4 × 4.9"



MARKINGS, TESTS & CERTIFICATIONS

CE, UKCA (for indoor use), IP2X, UL



MATERIAL

Aluminium



WEIGHT

Tripod floor: 600 g / 1.32 lb
Tripod table: 418 g / 0.92 lb
Tripod base: 400 g / 0.88 lb



WEIGHT INCL. PACKAGING

Tripod floor: 800 g / 1.8 lb
Tripod table: 630 g / 1.4 lb
Tripod base: 610 g / 1.3 lb



LIGHT SOURCE

E27 - max 15W LED (not included)



PACKAGING DIMENSIONS (L × W × H)

Tripod floor: 7.7 × 42.5 × 7.6 cm / 3 × 16.7 × 3"
Tripod table: 6.8 × 40.1 × 6.9 cm / 2.7 × 15.8 × 2.7"
Tripod base: 16.7 × 17.2 × 6.6 cm / 6.6 × 6.8 × 2.6"



ASSEMBLY TIME

5 min



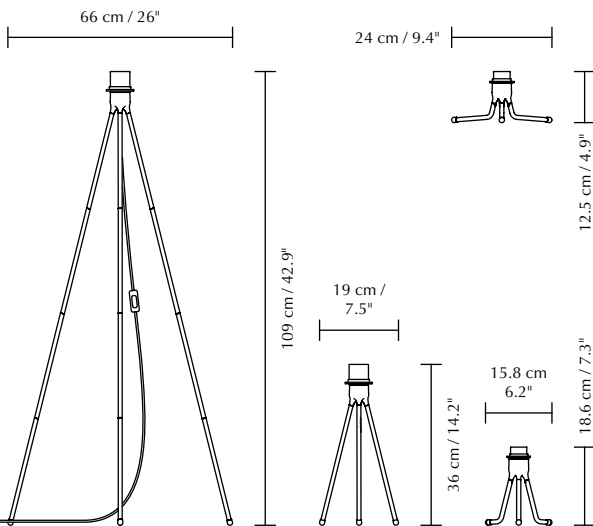
MEDIA KIT

Photos and press material
Download at umage.presscloud.com



ORDERING INFORMATION

Tripod floor white	#4015
Tripod floor black	#4016
Tripod floor brushed brass	#4194
Tripod floor brushed steel	#4195
Tripod table white	#4021
Tripod table black	#4022
Tripod table brushed brass	#4205
Tripod table brushed steel	#4206
Tripod base white	#4053
Tripod base black	#4054
Tripod base brushed brass	#4215
Tripod base brushed steel	#4216



Colour variations



UMAGE

TRIPOD | LIGHT STAND

Designed by Søren Ravn Christensen



A BEAUTIFUL LIGHT STAND

The Tripod collection lets you turn your UIMAGE lampshade into a table or floor lamp in just seconds. The ingenious construction of the Tripod ships in compact packaging and snaps together automatically in a few seconds upon unpacking.

Find more info on our website umage.com

